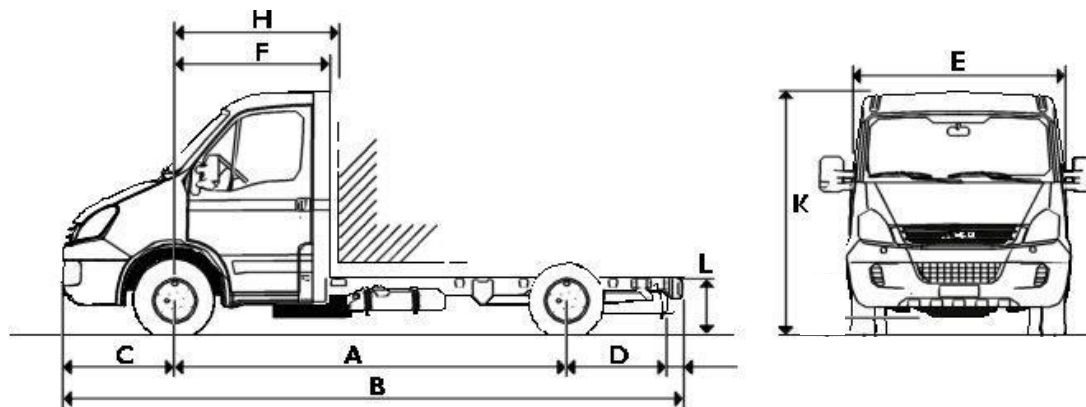


# IVECO DAILY



## 35C12 / 35C15 / 35C18 Chassis Cabs



### Model

	35C12 35C15	35C12 35C15 35C18	35C12 35C15 35C18	35C12 35C15 35C18
--	----------------	-------------------------	-------------------------	-------------------------

### Dimensions (mm)

	35C12	35C15	35C18	35C18
<b>A Wheelbase</b>	3000	3450	3750	4100
<b>B Overall length</b>	5334	5899	6509	6509
<b>C Front overhang</b>	998	998	998	998
<b>D Rear overhang</b>	1240	1355	1665	1715
<b>E Maximum cab width</b>	1996	1996	1996	1996
<b>F Front axle to back of cab</b>	1355	1355	1355	1355
<b>H Front axle to body</b>	1410	1410	1410	1410
Cab gap	55	55	55	55
<b>K Overall height (unladen)</b>	2230	2220	2215	2210
<b>L Frame height at rear</b>	755	755	755	755
with opt. rear air suspension- raised	650+70	650+70	650+70	650+70
with opt. rear air suspension- lowered	650-50	650-50	650-50	650-50
Turning circle (k to k) (m)	10.3	11.7	12.5	13.7
Turning circle (w to w) (m)	11.5	12.8	13.7	14.7

### Body Dimensions (mm)

	35C12	35C15	35C18	35C18
Maximum body width	2200	2200	2200	2200
Option	2350	2350	2350	2350
Recommended maximum body length	3315	3880	4490	4890

### Weights (kg)

Kerb weights are with full fuel tank, oil, water, spare wheel, tools and include driver @ 75 kg. Kerb weights are subject to a manufacturing tolerance of + or - 5%.

Model	35C12				35C15				35C18		
	3000	3450	3750	4100	3000	3450	3750	4100	3450	3750	4100
<b>Wheelbase</b>	3000	3450	3750	4100	3000	3450	3750	4100	3450	3750	4100
GVW	3500	3500	3500	3500	3500	3500	3500	3500	3500	3500	3500
GTW	6500	6500	6500	6500	7000	7000	7000	7000	7000	7000	7000
<b>Kerb weights</b>											
Front axle	1260	1290	1295	1310	1285	1315	1320	1335	1315	1320	1335
Rear axle	595	590	595	590	610	600	605	600	600	605	600
Total	1855	1880	1890	1900	1890	1915	1925	1935	1915	1925	1935
Maximum body & payload	1645	1620	1610	1600	1610	1585	1575	1565	1585	1575	1565
<b>Plated weights</b>											
Front axle	1800	1800	1800	1800	1800	1800	1800	1800	1800	1800	1800
Rear axle	2600	2600	2600	2600	2600	2600	2600	2600	2600	2600	2600

# IVECO DAILY 35C12 / 35C15 / 35C18 Chassis Cabs

Engines	C12	C15	C18
Fuel	Diesel	Diesel	Diesel
Capacity (litres)	2.3	3.0	3.0
Cylinders	4 (16 valves)		
Emission Compliance	Euro 4		
Fuel System	Common rail Generation 2		
Power (hp/ kW)	116/ 85	146/ 107	176/ 130
@ rpm	3200-3900	3000-3500	3200-3500
Torque (Nm/ lbft)	270/ 199	350/ 258	400/ 295
@ rpm	1800-2800	1400-2600	1250-3000
Exhaust System	Centre emit		

Gearboxes	C12	C15	C18
Type	5S300OD	6S400OD	6S400OD
	5 speed	6 speed	6 speed
	synchromesh	synchromesh	synchromesh
	overdrive	overdrive	overdrive
1st gear	4.99 : 1	5.37 : 1	5.37 : 1
Top gear	0.78 : 1	0.79 : 1	0.79 : 1

Performance	C12		C15		C18	
Gear	1st	Top	1st	Top	1st	Top
Max. geared speed (mph)	14	89	12	84	13	91
Gradeability @ GVW (%)	40+	7	40+	9	40+	10

Rear Axle Ratios	C12	C15	C18
Standard	4.18	3.92	3.62

Clutch	C12	C15	C18
Type	Hydraulic	Hydraulic	Hydraulic
Diameter	267	280	280

Electrics	
Alternator - std	14v - 110A
Alternator - opt	14v - 140A
Battery	12v - 110Ah

**Lighting & Signalling**  
Halogen headlamps; front fog lamps; twin rear fog lamps; twin reverse lamps

Suspension	
Front	Independent with transverse leaf spring
Rear	Semi-elliptic leaf springs
Anti-roll Bar	Front and rear
Shock absorbers	Front and rear

Brakes	
Front / Diameter	Ventilated disc brakes / 290 mm
Rear / Diameter	Ventilated disc brakes / 290 mm
ABS + EBD	Standard
Parking brake	On rear axle

**Steering** Power assisted - Rack & Pinion

Wheels & Tyres	
Wheels	6JK 16
Tyres	195/ 65R16
Spare	Standard

**Fuel Tank** 70 litres on nearside with locking fuel cap

## Standard Equipment

### Cab

Drivers airbag (option on 35C12)  
Fully adjustable driver's seat with headrest  
Three point inertia reel belt on all seats  
Exterior mirrors with integrated wide angle and direction indicators  
Underseat storage  
A4 storage compartment  
Cooled compartment (with opt. air conditioning)

Dual passenger seat with headrest  
Large dual storage pockets in doors  
Single piece floor mat  
2 cup holders  
Glove compartment with added storage  
Bottle holder  
Additional in-dash storage  
Clip holder

### Heating & Ventilation

Four speed fan with 5 different distribution modes and cab recirculation  
Windshield and side window defrost facility  
Fresh air ventilation when heater turned off

### Dashboard incorporates

Dash-mounted gear lever  
Provision for GPS or tachograph  
Coolant temperature indicator  
3 DIN drawers, two of which carry CD Player and/or tachograph  
LCD Display Panel includes: odometer, trip computer with distance, time, fuel consumption etc; headlamp orientation (dip/main); clock

RDS stereo radio/CD player (with Can security)  
Speedometer  
Rev. counter

### Security

Central locking with remote control and door locking management - anti-theft system

Engine immobiliser  
Steering lock

### Chassis

Flat topped high tensile steel c-section frame complete with pedestal body mounting brackets  
Rear underslung spare wheel and carrier  
Rear under ride guard

### Construction & Finish

C-section steel longitudinal side members and tubular cross members with pressed steel unitary construction body mounted on rubber bushes. Anti-corrosion protection includes full cathophoretic dipping with galvanized boxed sections and strategic use of zinc plated panels in vulnerable areas. Protective under seal for all under body cabin area, wheel housings and engine area. SMC bumper and side mouldings.

## Options

AGile semi-automated 6-speed gearbox  
Airbag for driver (35C12) with seat belt pretensioners  
Airbags for driver and passengers with seat belt tensioners  
Airbags for driver and passengers with seat belt tensioners plus window bags  
Air conditioning  
Alarm system  
Alternator- heavy duty  
Ambient air temperature gauge (option with air conditioning)  
ASR - Traction control  
Blue Tooth vivavoice system with steering wheel controls  
Body builder connectors  
Colour keyed bumper and trim  
Comfort dashboard - LCD panel additions include: External temperature display; servicing indicator; ice warning; automated gearbox  
Comfort seats - driver and passenger  
ECAS air suspension on rear axle  
ESP - Electronic Stability Programme (includes ABS - Anti-lock Brakes, EBD - Electronic Brake Force Distribution, ASR - Traction Control, MSR - Motor Torque Reduction, HBA - Hydraulic Brake Assist)  
Exhaust with CRT  
Exterior mirrors - heated and electrically adjustable  
Fuel tank with locking cap - 100 litres  
GPS satellite navigation  
Headlamp washers  
Long external mirror arm  
Overhead windscreen storage rack and DIN drawer  
PVC trim  
Rear axle ratio options  
Full screen satellite navigation  
Tachograph - digital  
Tow bar with ball  
Towing electric socket (13 pin)  
Windows electrically operated

For a complete list of Daily options please contact your local Iveco distributor